

## SPECIFICATIONS

### PHYSICAL

- Rugged die-cast aluminium construction
- Rotating shutter assembly  $\pm 25^\circ$
- 0.8mm/20 gauge stainless steel shutters in a tri-plane assembly
- Interchangeable lens tubes with smooth-running Teflon® guides
- Thermally insulated rear handle
- High impact, thermally insulated knobs and shutter handles
- Two accessory slots and a top mounted, gel frame retainer
- Steel yoke with two mounting positions
- Positive locking single-clutch fixture body
- Slot for glass or stainless steel gobo patterns
- Wide accessory slot with sliding cover for motorised effect devices, A-size gobo holders or optional drop-in iris
- Uses 190mmx190mm colour frames and accessories
- CE compliant

### ELECTRICAL

- 115-240V, 50/60Hz
- High temperature 3-conductor 1.5m silicon-rubber cable with flying leads

### LAMP

- 750W Maximum
- HPL – compact tungsten filament contained in a krypton-filled quartz envelope (see table for suitable lamp types)
- Patented filament geometry makes for extremely efficient light collection and transmission
- Integral die-cast aluminium heat sink lamp base

## SPECIFICATIONS

### OPTICAL

- Re-optimised optical system for improved photometric performance and field uniformity
- Projector-quality, high contrast dual aspheric lenses
- Superior optical glass with advanced Anti-Reflective coatings
- Provides crisp edge definition and high gobo contrast
- Faceted borosilicate reflector with dichroic cold mirror coating removes greater than 90% infrared radiation (heat) and reflects greater than 95% of visible light
- Reflector secured with anti-vibration shock mounts
- Tool free, positive locking X, Y and Z lamp centering adjustments, unaffected by relamping
- Beam edge continually adjustable hard-to-soft
- Interchangeable lens tubes permit selection of 5°, 10°, 14°, 19°, 26°, 36°, 50°, 70°, and 90° field angles, 15°-30° and 25°-50° zoom as well as 19°, 26°, 36°, and 50° EDLT lens tubes

## ORDERING INFORMATION

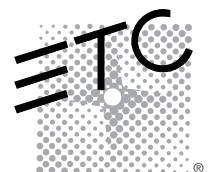
### Source Four CE

| PART NO      | DESCRIPTION                             |
|--------------|---|
| 7060A1288-0X | Source Four 70° luminaire (black)       |
| 7060A1288-1X | Source Four 70° luminaire (white)       |
| 7060A1288-5X | Source Four 70° luminaire (silver grey) |

ETC Source Four CE is supplied with colour frame and 1.5m cable with flying leads as standard.

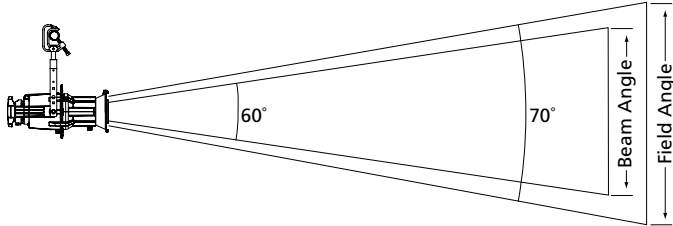
Custom colours are available on request

See back page for Source Four Accessories



PHOTOMETRICS

Photometric data below is measured with an HPL 750W/115V 300 hr lamp. To convert data when using any other HPL lamp, use the lumen or candela multiplying factors (Lm MF or Cd MF) for that specific lamp, listed in the Lamps table in this datasheet. For lumen data, multiply by the Lm MF. For candela or footcandle data, multiply by the Cd MF.



|                           |       |       |       |      |
|---------------------------|-------|-------|-------|------|
| <b>Throw Distance (d)</b> | 1.5m  | 3.0m  | 4.6m  | 6.1m |
| <b>Field Diameter</b>     | 2.1m  | 4.3m  | 6.4m  | 8.5m |
| <b>Illuminance (fc)</b>   | 891   | 223   | 99    | 56   |
| <b>Illuminance (lux)</b>  | 9,589 | 2,397 | 1,065 | 599  |

For illumination with any lamp, multiply the candlepower of a beam spread by the multiplying factor (mf) shown for that lamp.

To determine illumination in footcandles or lux at any throw distance, divide candlepower by distance squared.

For Field diameter at any distance, multiply distance by 1.40

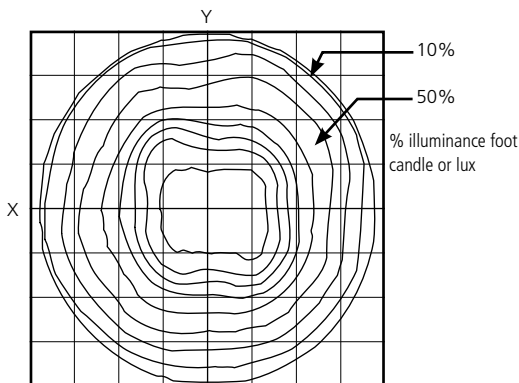
For Beam diameter at any distance, multiply distance by 1.14

Source Four 70°(cosine)

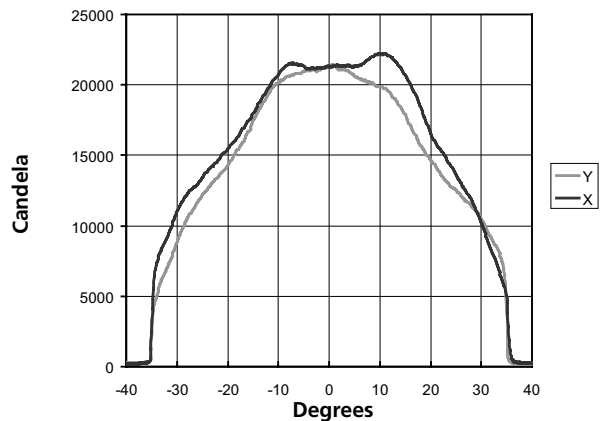
| Degree | Candela | Field Lumens | Beam Lumens | Efficiency | Lumens per watt |
|--------|---------|--------------|-------------|------------|-----------------|
| 70°    | 22,270  | 16,130       | 9,595       | 73.7%      | 21.5            |

Metric Conversions: For Meters multiply feet by .3048  
For Lux multiply footcandles by 10.76

Iso-Illuminance Diagram  
(Flat Surface Distribution)



Cosine Candela Plot



Complete IES photometry data files (LM-63-02 format) may be downloaded from the ETC website.

Go to <http://www.etcconnect.com/downloads.asp>

## Ellipsoidal Series

## L A M P S

To determine Candela (Cd) or Lumens (Lm) for any other HPL lamp, multiply the Candela or Lumen value by the appropriate multiplying factor (CdMF or LmMF) shown for that lamp in the table below.

| ETC Part # | Lamp Code     | Watts | Volts | Initial Lumens | Color Temp. K | Average Rated Life | 70° Cd MF | 70° Lm MF |
|------------|---------------|-------|-------|----------------|---------------|--------------------|-----------|-----------|
| RT116      | HPL 750/115** | 750   | 115   | 21,900         | 3,250         | 300                | 1.00      | 1.00      |
| RT196      | HPL 750/115X  | 750   | 115   | 16,400         | 3,050         | 1,500              | .64       | .74       |
| RT113      | HPL 575/115** | 575   | 115   | 16,520         | 3,250         | 300                | .79       | .81       |
| RT114      | HPL 575/115X  | 575   | 115   | 12,360         | 3,050         | 2,000              | .56       | .56       |
| RT142      | HPL 375/115   | 375   | 115   | 10,540         | 3,250         | 300                | .66       | .52       |
| RT143      | HPL 375/115X  | 375   | 115   | 8,500          | 3,050         | 1,000              | .46       | .39       |
| N/A        | HPL 750/120   | 750   | 120   | 21,900         | 3,250         | 300                | 1.00      | 1.00      |
| N/A        | HPL 750/120X  | 750   | 120   | 16,400         | 3,050         | 1,500              | .64       | .74       |
| RT115      | HPL 575/120   | 575   | 120   | 16,520         | 3,250         | 300                | .79       | .81       |
| RT171      | HPL 575/120X  | 575   | 120   | 12,360         | 3,050         | 2,000              | .56       | .56       |
| RT160      | HPL 750/230** | 750   | 230   | 19,750         | 3,200         | 300                | .82       | .85       |
| N/A        | HPL 750/230X  | 750   | 230   | 15,600         | 3,050         | 1,500              | .51       | .67       |
| RT129      | HPL 575/230** | 575   | 230   | 14,900         | 3,200         | 400                | .67       | .67       |
| RT138      | HPL 575/230X  | 575   | 230   | 11,780         | 3,050         | 1,500              | .49       | .51       |
| RT154      | HPL 375/230X  | 375   | 230   | 7,800          | 3,050         | 1,000              | .37       | .35       |
| N/A        | HPL 750/240   | 750   | 240   | 19,750         | 3,200         | 300                | .82       | .85       |
| N/A        | HPL 750/240X  | 750   | 240   | 15,600         | 3,050         | 1,500              | .51       | .67       |
| RT130      | HPL 575/240   | 575   | 240   | 14,900         | 3,200         | 400                | .64       | .67       |
| RT139      | HPL 575/240X  | 575   | 240   | 11,780         | 3,050         | 1,500              | .46       | .51       |
| RT155      | HPL 375/240X  | 375   | 240   | 7,250          | 3,050         | 1,000              | .37       | .35       |

Source Four is rated for 750W maximum

115V and 120V lamps can be used in Source Four CE 230V luminaires equipped with Source Four ES1 single dimmer only.

\*\*Photometric data was prepared using a production fixture and the Prometric CCD measurement system. Fixture adjusted for cosine distribution and tested with calibrated lamp at rated voltage. All data normalized to nominal lamp lumens in accordance with IES LM-73-04. Testing performed at ETC West, Hollywood, CA. All other multiplying factors extrapolated from primary test data.

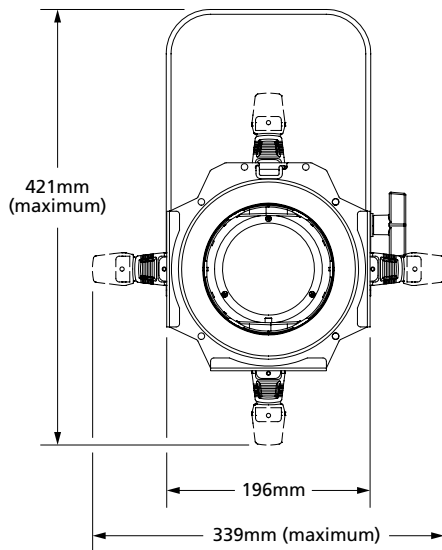
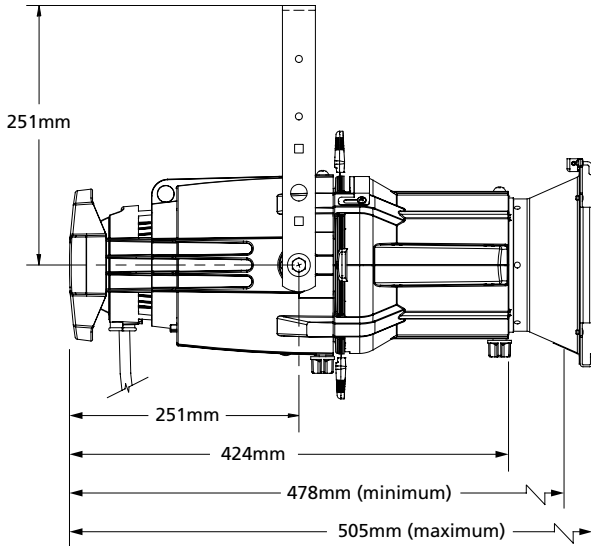
For links to photometry file downloads (IES LM-63-02 format) go to [www.etcconnect.com](http://www.etcconnect.com)

HPL Specified Tolerances: Watts +/- 5%, Lumens +/-7%, Average life +/-10%, Color Temperature +/- 50K

"N/A" lamps are not available for purchase from ETC. Contact your Dealer for purchase.

Ellipsoidal Series

PHYSICAL



Source Four Weights

| MODEL             | WEIGHT | SHIPPING WEIGHT |
|-------------------|--------|-----------------|
|                   | kgs    | kgs             |
| Source Four CE 70 | 6.9    | 9.6             |

ORDERING INFORMATION

Continued from front page...

Source Four CE Accessories

| PART NO     | DESCRIPTION  |
|-------------|--|
| 7060A1223   | Source Four CE Fixture Body, Single-Clutch, Black                      |
| 7060A1012   | Drop-In Iris   |
| 7060A1074   | Gobo Holder for metal gobo pattern, Size A (For use in iris slot only) |
| 7060A1074-1 | Gobo Holder for glass gobo pattern, Size A (For use in iris slot only) |
| 7060A1075   | Gobo Holder for metal gobo pattern, Size B (For use in iris slot only) |
| 7060A1075-1 | Gobo Holder for glass gobo pattern, Size B (For use in iris slot only) |
| 7060A1016   | 190mm x 190mm Donut  |

NOTE: For colours other than black, white (-1) and silver grey (-5), please contact ETC.

Source Four products are protected by one or more of the following patents:

|         |   |
|---------|---|
| U.S.    | USRE36,3316, US5,345,371, US6,092,914 and US5,775,799 |
| U.K.    | GB0592589, GB0673488, 99930527.9*                     |
| Germany | DE0592589, GB0673488, 99930527.9*                     |
| Japan   | JP2,501,772   |

\* European patent application number



Corporate Headquarters • 3031 Pleasant View Rd, PO Box 620979, Middleton WI 53562 0979 USA • Tel +1 608 831 4116 • Fax +1 608 836 1736  
 London, UK • Unit 26-28, Victoria Industrial Estate, Victoria Road, London W3 6UU, UK • Tel +44 (0)20 8896 1000 • Fax +44 (0)20 8896 2000  
 Rome, IT • Via Pieve Torina, 48, 00156 Rome, Italy • Tel +39 (06) 32 111 683 • Fax +44 (0)20 8752 8486

Holzkirchen, DE • Ohmstrasse 3, 83607 Holzkirchen, Germany • Tel +49 (80 24) 47 00-0 • Fax +49 (80 24) 47 00-3 00

Hong Kong • Room 1801, 18/F, Tower 1 Phase 1, Enterprise Square, 9 Sheung Yuet Road, Kowloon Bay, Kowloon, Hong Kong • Tel +852 2799 1220 • Fax +852 2799 9325

Web • www.etcconnect.com • Copyright©2015 ETC. All Rights Reserved. All product information and specifications subject to change. 7060L1040-GB Rev. A 01/2015