

Job Name:		Catalog #:	
Date:		Notes:	

#9014/9015/9016/9017/9018

DMX REPEATER



PRODUCT OVERVIEW

The Pathway DMX Repeater is an essential component of any DMX512 distribution system, permitting star-wiring configurations while isolating and protecting connected equipment from harmful electrical faults, ground loops and common mode voltages.

Multiple connector choices ensure easy installation in existing systems and flexibility in new system design.

SPECIFICATIONS

- 100-240VAC 50/60Hz wide-range power input
- 0.08A maximum power consumption
- 1000V opto-isolation between DMX ports
- 250V fault protection on DMX ports
- Operating Conditions: 14°F-104°F (-10°C to 40°C); 10-90% relative humidity, non-condensing

FEATURES

- 8 DMX outputs
- Multiple connector options including RJ45
- No fuses - self-resetting port protection recovers from voltage faults
- Field-serviceable - a spare transceiver and opto-coupler ships with every unit
- Passive DMX through
- DMX line termination switch
- Specify model to either access connectors on front or rear
- DMX present LED indicators
- Gold-plated XLR contacts
- Rugged cast aluminum housing
- Silent, fanless operation
- Wide-range power input
- E1.11 DMX512-A compliant
- Rack ears included

STANDARDS COMPLIANCE

- USITT DMX512 - 1990 / ANSI E1.11 DMX512-A R2013
- ETL
- RoHS 2011/65/EU
- CE

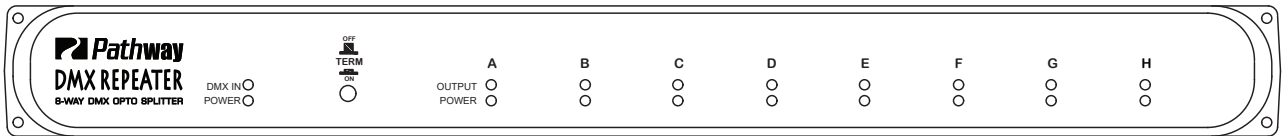
WEIGHTS AND DIMENSIONS

- 5.2 lbs (2.4 kg)
- 17"W x 1.7"H x 7"D (432mm x 43mm x 178mm)

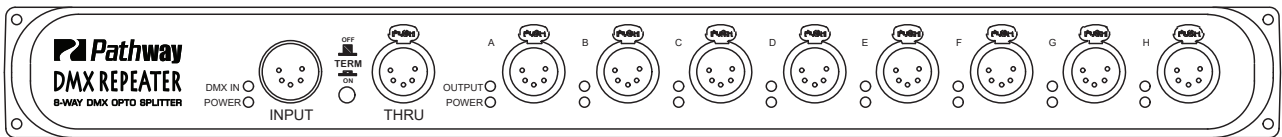
INCLUDED FURNISHINGS

- Installation/Operations manual
- Rackmount ears

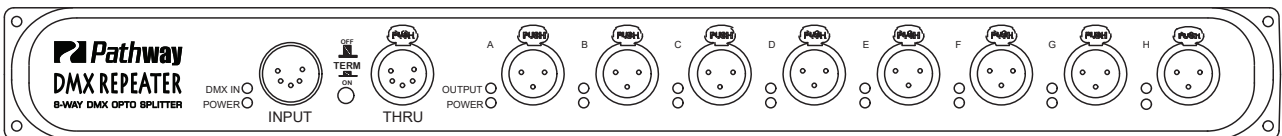
FRONT PANEL



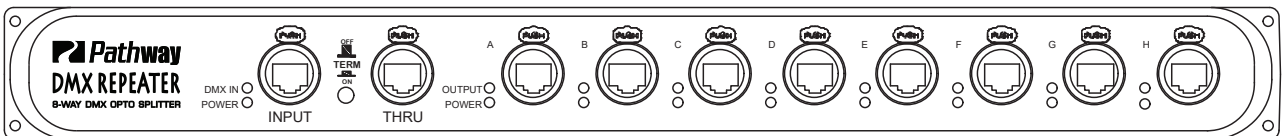
MODEL 9014, 9015, 9017



MODEL 9016

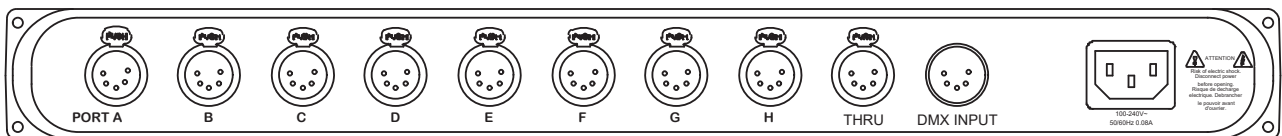


MODEL 9016-3

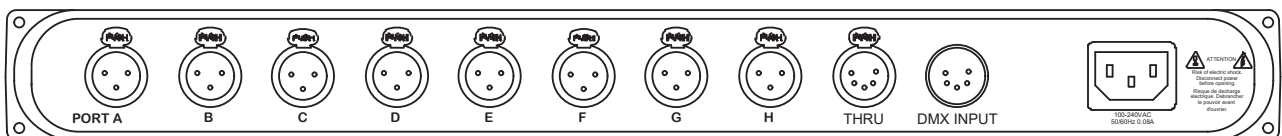


MODEL 9018

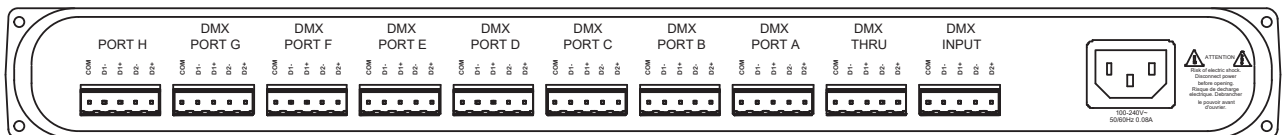
REAR PANEL



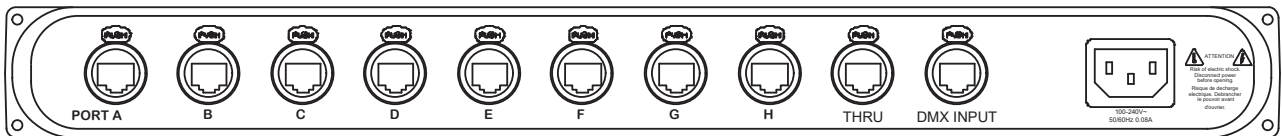
MODEL 9014



MODEL 9014-3

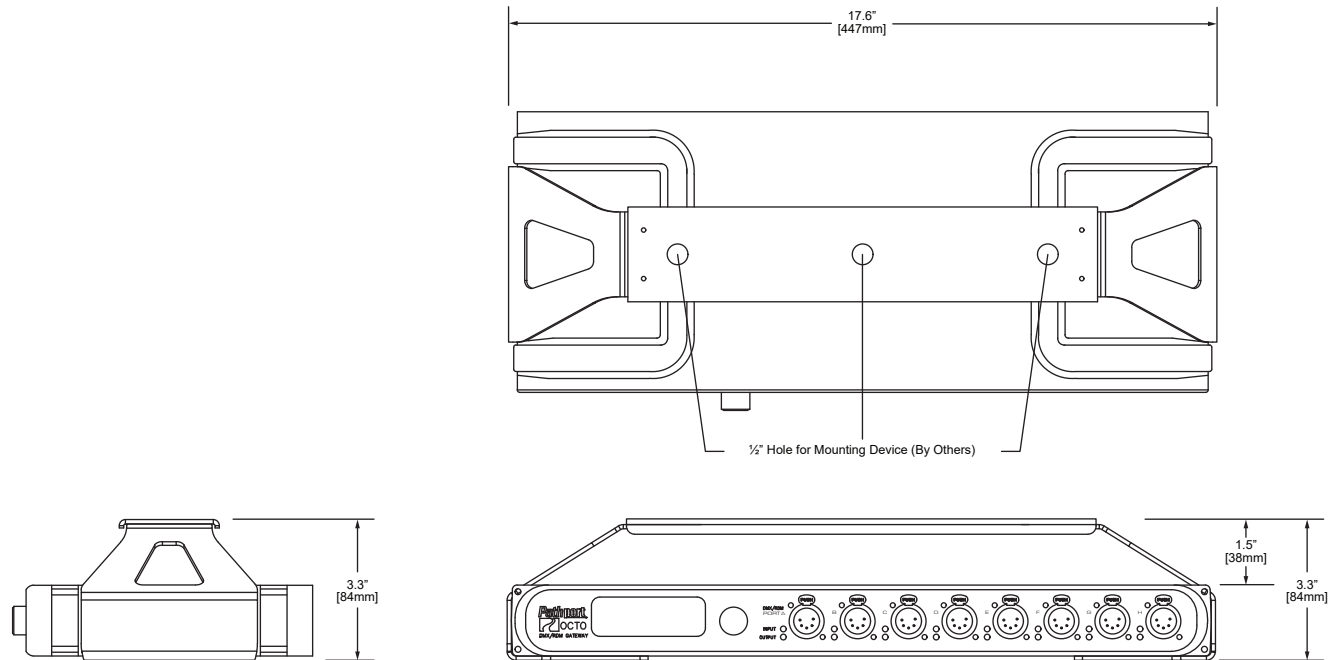


MODEL 9015

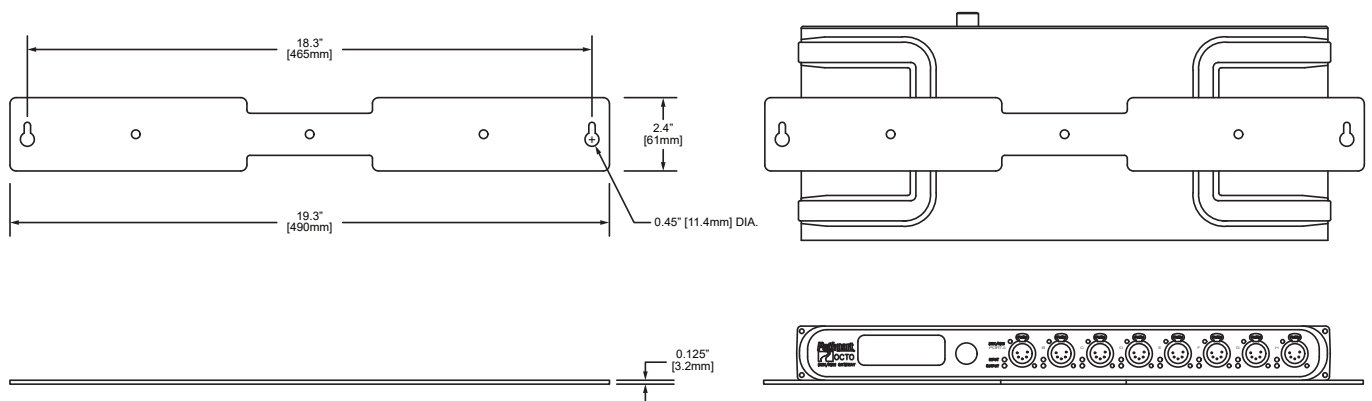


MODEL 9017

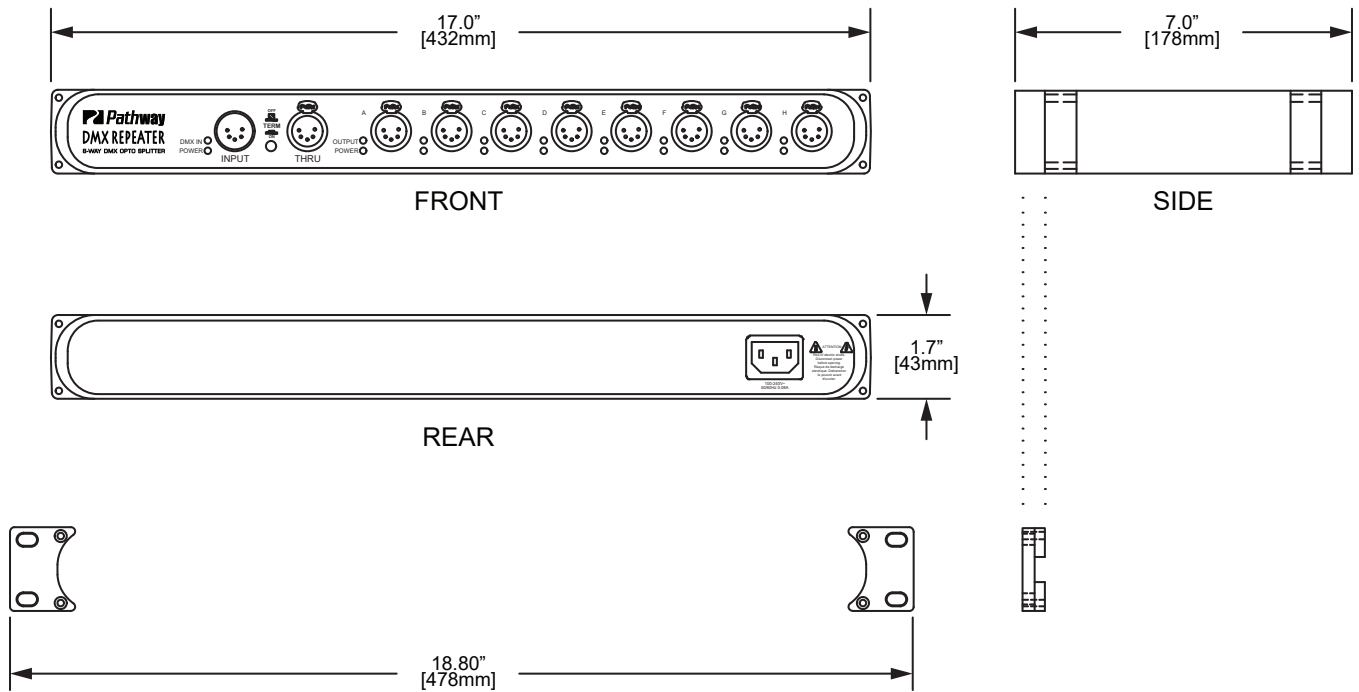
TRUSS MOUNT KIT - P/N #9003



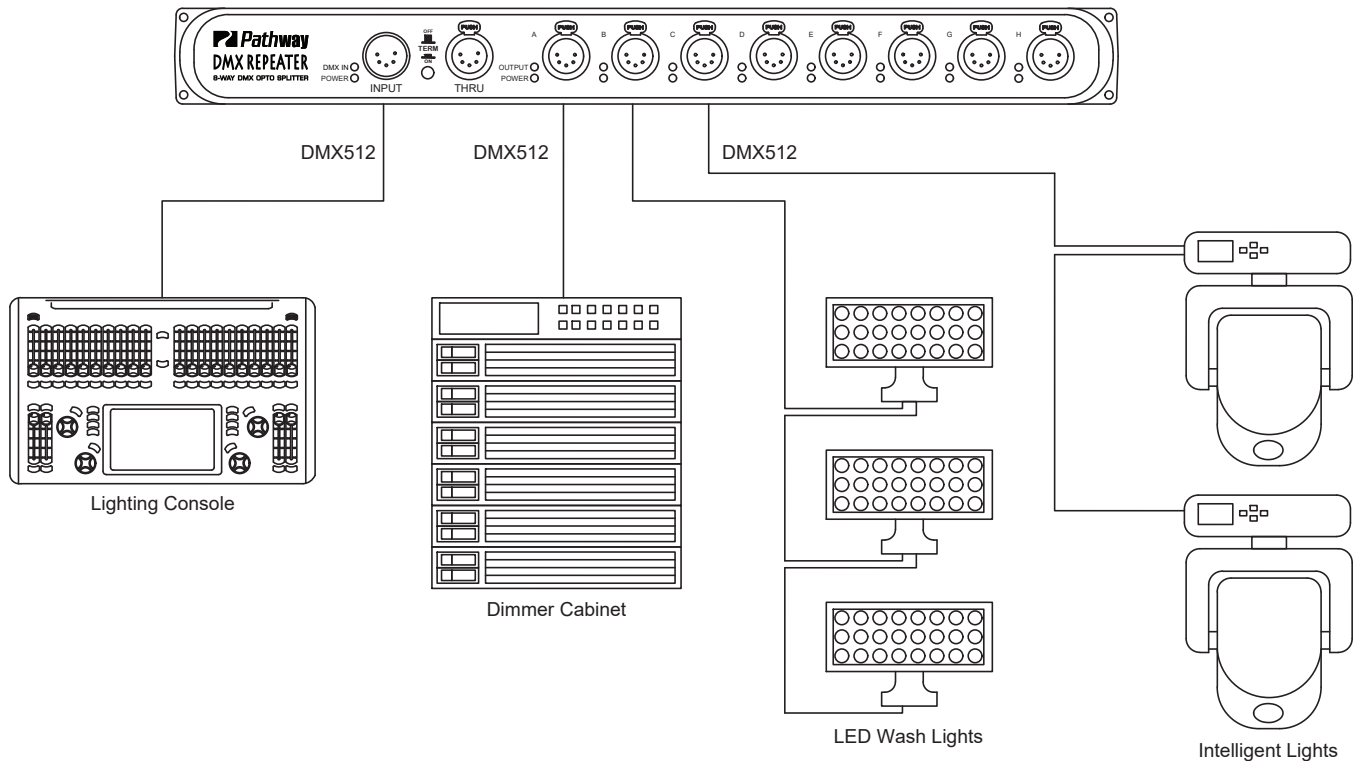
WALL MOUNT KIT - P/N #9002



DIMENSIONS



APPLICATION RISER



DMX PIN OUTS

	XLR PIN #	PURPOSE
DMX512/RDM PINOUT: FOR SHIELDED TWISTED PAIR	1	Shield
	2	Data - (complement)
	3	Data + (true)
	4	Not Used
	5	Not Used

	XLR PIN #	CAT5/6 Pin # and Color	PURPOSE
DMX512/RDM PINOUT: FOR CAT 5/6	3	1 - White/Orange	Data 1 + (true)
	2	2 - Orange	Data 1 - (complement)
	5	3 - White/Green	Not Used
	4	6 - Green	Not Used
	-	4 - Blue	Not Used - do not connect
	-	5 - White/Blue	Not Used - do not connect
	1	7 - White/Brown	Shield/COM
	1	8 - Brown	Shield/COM

ORDERING INFORMATION

PART #	DESCRIPTION
9014	DMX Repeater, 8 Way, Rear 5-pin XLR, Fully Isolated
9014-3	DMX Repeater, 8 Way, Rear 3-pin XLR, Fully Isolated
9015	DMX Repeater, 8 Way, Rear Terminal, Fully Isolated
9016	DMX Repeater, 8 Way, Front 5-pin XLR, Fully Isolated
9016-3	DMX Repeater, 8 Way, Front 3-pin XLR, Fully Isolated
9017	DMX Repeater, 8 Way, Rear RJ45 etherCON, Fully Isolated
9018	DMX Repeater, 8 Way, Front RJ45 etherCON, Fully Isolated
ACCESSORIES	
9002	Wall-mount kit (Repeater, Repeater PRO)
9003	Truss-mount kit (Repeater, Repeater PRO)