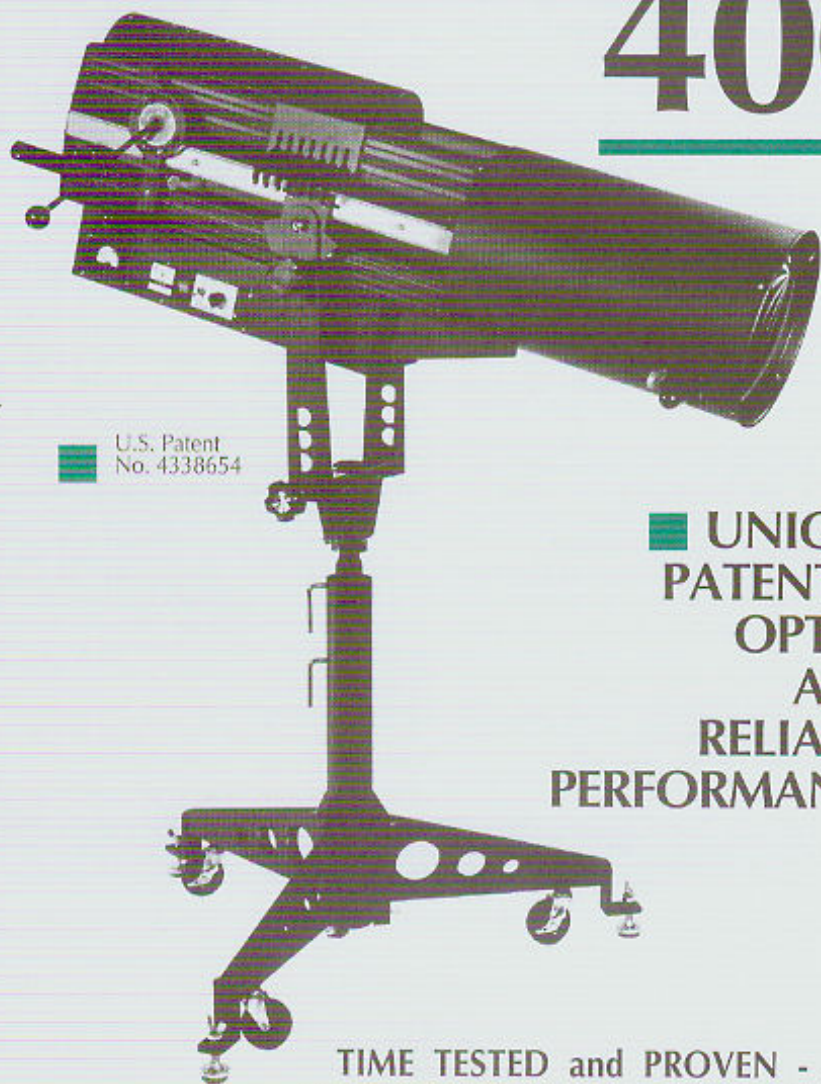


# SUPER MODEL 1267 ARC 400



U.S. Patent  
No. 4338654

## UNIQUE PATENTED OPTICS AND RELIABLE PERFORMANCE

**TIME TESTED and PROVEN** - As a front-of-house followspot, it is equally suited for 100' throws to 350' throws. With its unique patented optics and reliable performance, the 1267 is the most specified choice for discerning professionals.

## FEATURES

- Uses readily available HTI-400/24 lamp with stable (5600°K) color temperature
- One handle zoom spot-size automatically increases brightness with decreasing spot size from full flood to spot
- Operated from either back or side
- Folding three-legged base with leveling jacks
- Coated optic
- Adjustable brakes for pan and tilt
- Draws less than 9 amps at 120 VAC, 60Hz. (other voltages available)
- Largest flood to spot ratio available today
- Optical quality glass lenses
- Horizontal trim shutters
- Nichrome Iris
- Faders with dual smooth operating controls
- Quiet operation
- Adjustable power supply for balancing fixture intensity



**LYCIAN**  
STAGE LIGHTING